
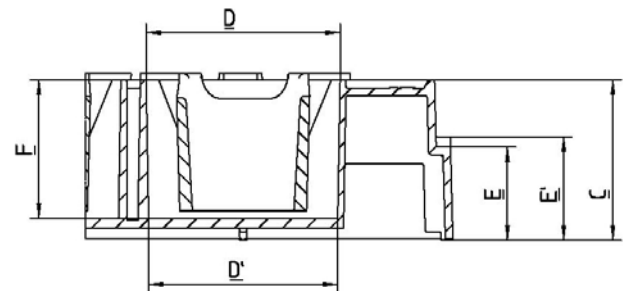
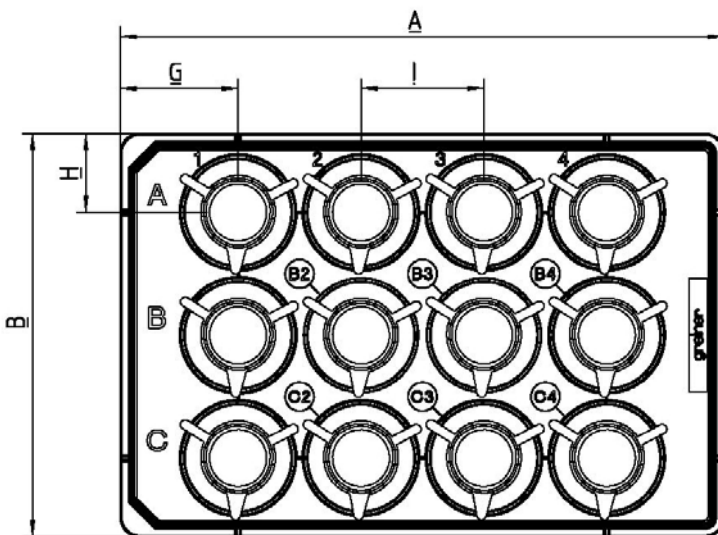


AC-6656xx	CUSTOMER DRAWING	Page 1 of 3
Revision 02	ThinCert™ - TC Inserts 12 Well + Multiwell Plate	
	Item-No. 665 6xx	



NOT TO SCALE




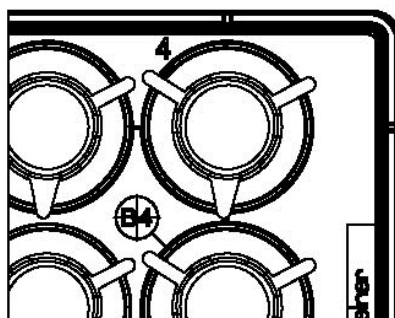
Cat.-No.	Description	A	B	C	D	D'	E	E'	F	G	H	I
665 610	12 well Plate	127.8 ± 0.2	85.5 ± 0.2	19.0 ± 0.15	Ø 22.78 ± 0.15	Ø 22.2 ± 0.15	12.0	13.2	16.5 ± 0.1	24.9	16.75	26.0
665 630	12 well Plate	127.8 ± 0.2	85.5 ± 0.2	19.0 ± 0.15	Ø 22.78 ± 0.15	Ø 22.2 ± 0.15	12.0	13.2	16.5 ± 0.1	24.9	16.75	26.0
665 631	12 well Plate	127.8 ± 0.2	85.5 ± 0.2	19.0 ± 0.15	Ø 22.78 ± 0.15	Ø 22.2 ± 0.15	12.0	13.2	16.5 ± 0.1	24.9	16.75	26.0
665 638	12 well Plate	127.8 ± 0.2	85.5 ± 0.2	19.0 ± 0.15	Ø 22.78 ± 0.15	Ø 22.2 ± 0.15	12.0	13.2	16.5 ± 0.1	24.9	16.75	26.0
665 640	12 well Plate	127.8 ± 0.2	85.5 ± 0.2	19.0 ± 0.15	Ø 22.78 ± 0.15	Ø 22.2 ± 0.15	12.0	13.2	16.5 ± 0.1	24.9	16.75	26.0
665 641	12 well Plate	127.8 ± 0.2	85.5 ± 0.2	19.0 ± 0.15	Ø 22.78 ± 0.15	Ø 22.2 ± 0.15	12.0	13.2	16.5 ± 0.1	24.9	16.75	26.0

All dimensions in mm

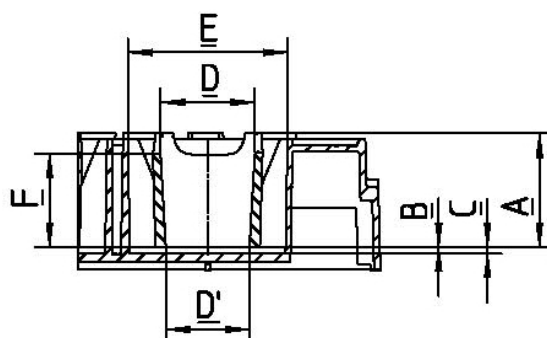
Customer drawing subject to change without notice!

Prior Issue	Drawn	Approved	Released	CONFIDENTIAL: Information contained in this document or drawing is confidential and proprietary to Greiner Bio-One GmbH. This document may not be reproduced for any reason without written permission from Greiner Bio-One GmbH. All rights of design, invention, and copyright are reserved.
Revision 01	Date March 06, 2007	Date March 06, 2007	Date March 07, 2007	
Date 31 January 2005	Name F. Falter	Name F. Sonntag	Name F. Sonntag	

AC-6656xx	CUSTOMER DRAWING	Page 2 of 3
Revision 02	ThinCert™ - TC Inserts 12 Well + Multiwell Plate	
	Item-No. 665 6xx	



NOT TO SCALE




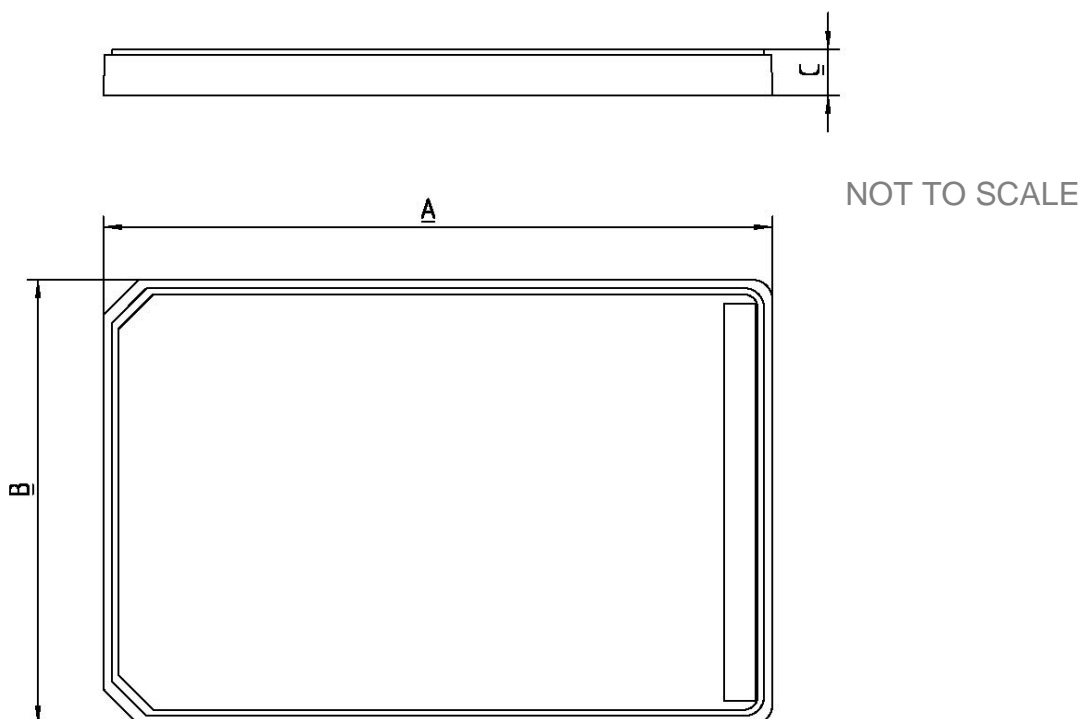
Cat.-No.	Description	A	B	C	D	D	E	F
665 610	ThinCert™	16.25	0.9	0.03	13.85	12.0	22.78	13.38
665 630	ThinCert™	16.25	0.9	0.03	13.85	12.0	22.78	13.38
665 631	ThinCert™	16.25	0.9	0.03	13.85	12.0	22.78	13.38
665 638	ThinCert™	16.25	0.9	0.03	13.85	12.0	22.78	13.38
665 640	ThinCert™	16.25	0.9	0.03	13.85	12.0	22.78	13.38
665 641	ThinCert™	16.25	0.9	0.03	13.85	12.0	22.78	13.38

All dimensions in mm

Customer drawing subject to change without notice!

Prior Issue	Drawn	Approved	Released	CONFIDENTIAL: Information contained in this document or drawing is confidential and proprietary to Greiner Bio-One GmbH. This document may not be reproduced for any reason without written permission from Greiner Bio-One GmbH. All rights of design, invention, and copyright are reserved.
Revision 01	Date March 06, 2007	Date March 06, 2007	Date March 07, 2007	
Date 31 January 2005	Name F. Falter	Name F. Sonntag	Name F. Sonntag	

AC-6656xx	CUSTOMER DRAWING	Page 3 of 3
Revision 02	ThinCert™ - TC Inserts 12 Well + Multiwell Plate	
	Item-No. 665 6xx	



Cat.-No.	Description	A	B	C
665 610	Lid	127.4	85.1	8.8
665 630	Lid	127.4	85.1	8.8
665 631	Lid	127.4	85.1	8.8
665 638	Lid	127.4	85.1	8.8
665 640	Lid	127.4	85.1	8.8
665 641	Lid	127.4	85.1	8.8

All dimensions in mm

Customer drawing subject to change without notice!

Prior Issue	Drawn	Approved	Released	CONFIDENTIAL: Information contained in this document or drawing is confidential and proprietary to Greiner Bio-One GmbH. This document may not be reproduced for any reason without written permission from Greiner Bio-One GmbH. All rights of design, invention, and copyright are reserved.
Revision 01	Date March 06, 2007	Date March 06, 2007	Date March 07, 2007	
Date 31 January 2005	Name F. Falter	Name F. Sonntag	Name F. Sonntag	