
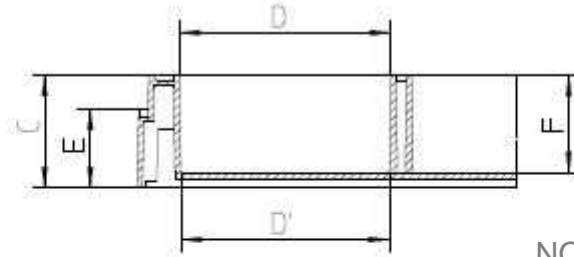
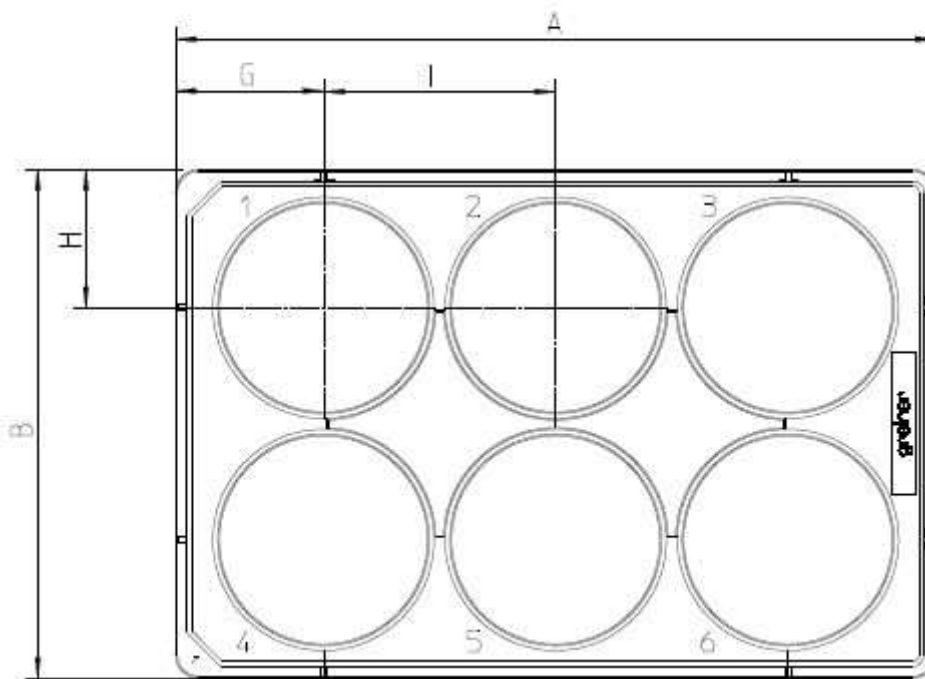


AC-6579xx	<b>CUSTOMER DRAWING</b>	Page 1 of 2
Revision 02	6 Well Multiwell Plate, CELLCOAT <sup>®</sup> with Protein Coating	
	Item-No. 657 9xx	



NOT TO SCALE




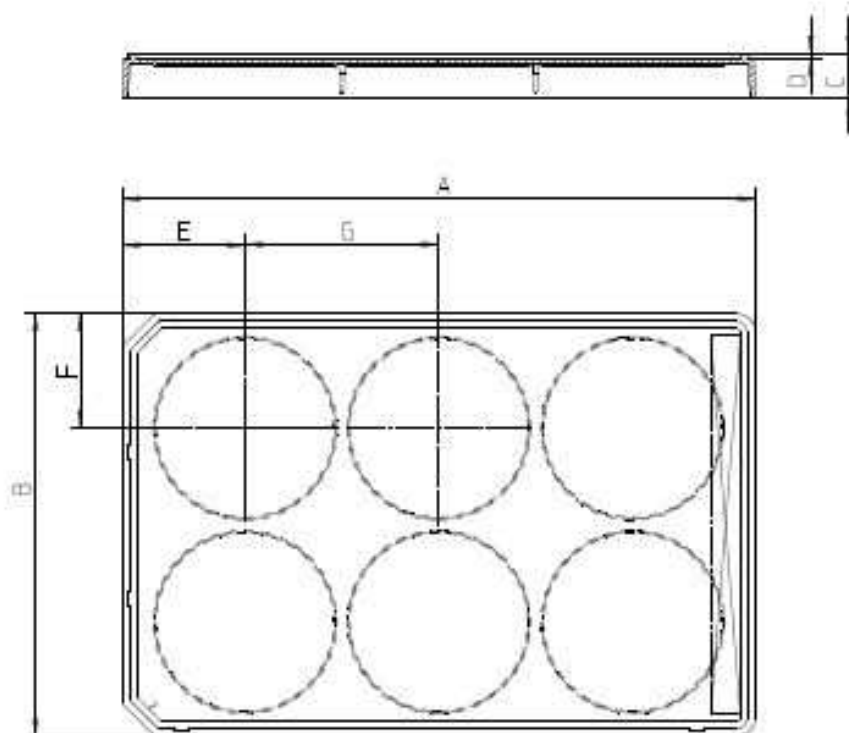
Cat.-No.	Description	A	B	C	D	D'	E	E'	F	G	H	I
657 930	6 well Plate Poly-L-Lysine	127.76 ± 0.2	85.48 ± 0.2	19.0 ± 0.15	∅ 35.58 ± 0.15	∅ 35.0 ± 0.15	12	13.2	16.5	23.25	24.9	39
657 940	6 well Plate Poly-D-Lysine	127.76 ± 0.2	85.48 ± 0.2	19.0 ± 0.15	∅ 35.58 ± 0.15	∅ 35.0 ± 0.15	12	13.2	16.5	23.25	24.9	39
657 950	6 well Plate Collagen Type I	127.76 ± 0.2	85.48 ± 0.2	19.0 ± 0.15	∅ 35.58 ± 0.15	∅ 35.0 ± 0.15	12	13.2	16.5	23.25	24.9	39

All dimensions in mm

Customer drawing subject to change without notice!

Prior Issue	Drawn	Approved	Released	<b>CONFIDENTIAL:</b> Information contained in this document or drawing is confidential and proprietary to Greiner Bio-One GmbH. This document may not be reproduced for any reason without written permission from Greiner Bio-One GmbH. All rights of design, invention, and copyright are reserved.
Revision 01	Date December 03, 2008	Date December 04, 2008	Date December 04, 2008	
Date December 01, 2006	Name F. Falter	Name F. Sonntag	Name F. Sonntag	

AC-6579xx	<b>CUSTOMER DRAWING</b>	Page 2 of 2
Revision 02	6 Well Multiwell Plate, CELLCOAT <sup>®</sup> with Protein Coating	 <b>greiner bio-one</b>
	Item-No. 657 9xx	



NOT TO SCALE

Cat.-No.	Description	A	B	C	D	E	F	G
657 930	Lid	127.4 ± 0.2	85.1 ± 0.2	8.8	1.0	24.7	23.05	39.0
657 940	Lid	127.4 ± 0.2	85.1 ± 0.2	8.8	1.0	24.7	23.05	39.0

All dimensions in mm

Customer drawing subject to change without notice!

Prior Issue	Drawn	Approved	Released	<b>CONFIDENTIAL:</b> Information contained in this document or drawing is confidential and proprietary to Greiner Bio-One GmbH. This document may not be reproduced for any reason without written permission from Greiner Bio-One GmbH. All rights of design, invention, and copyright are reserved.
Revision 01	Date December 03, 2008	Date December 04, 2008	Date December 04, 2008	
Date December 01, 2006	Name F. Falter	Name F. Sonntag	Name F. Sonntag	