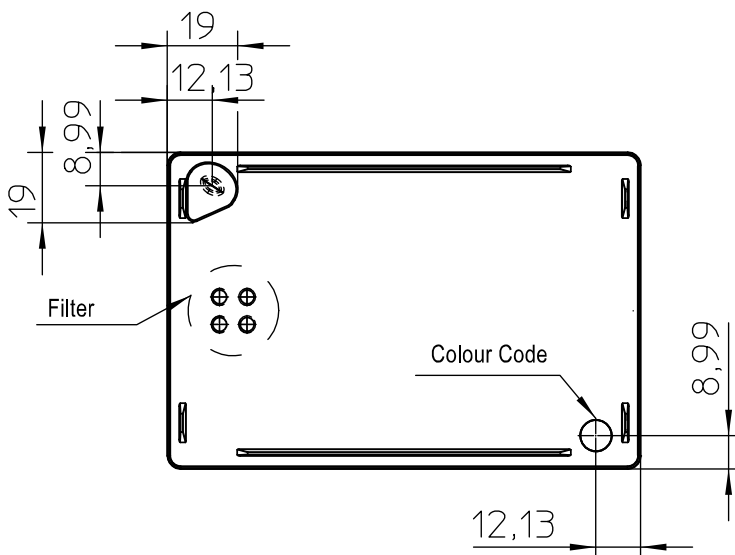
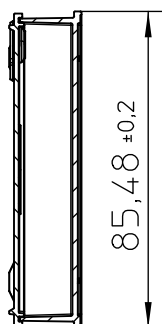
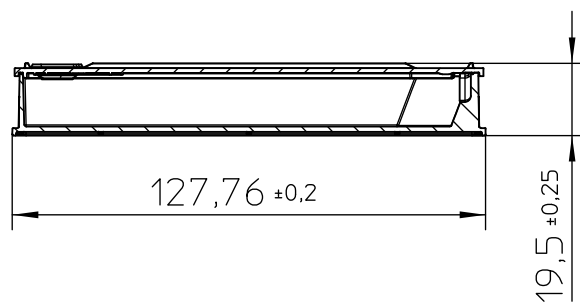
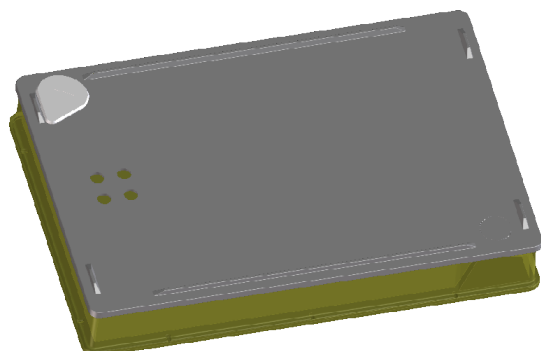


Valid for Item-No.: 779160, 779180, 779960



Only layout change, no design change of the product.
 Prior drawing No. AC-779160/ Rev 03/ November 22, 2007
 AC-779960/ Rev 01/ October 27, 2010

"All dimensions in mm"

Customer drawing subject to change without notice!

Prior Issue	Drawn	Approved	Released	CONFIDENTIAL: Information contained in this document or drawing is confidential and proprietary to Greiner Bio-One GmbH. This document may not be reproduced for any reason without written permission from Greiner Bio-One GmbH. All rights of design, invention, and copyright are reserved.
Revision	Date 2011/05/09	Date 2011/05/12	Date 2011/05/12	
Date	Name falter	Name sonntag	Name sonntag	