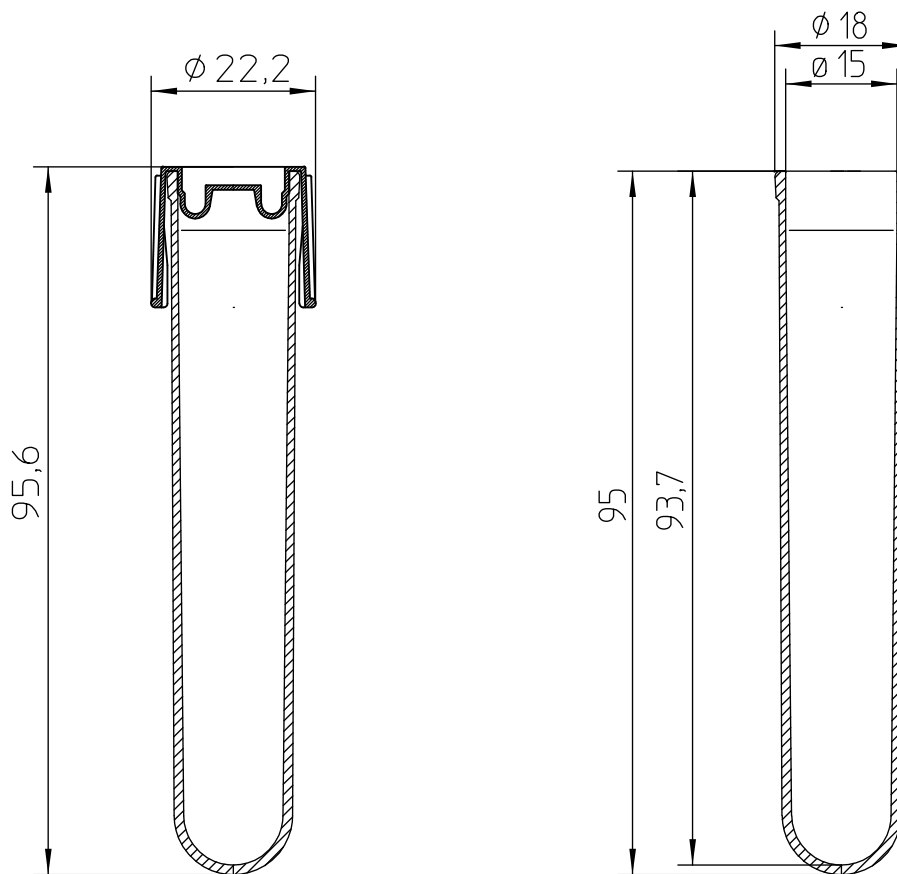


Valid for Item-No.: 191160, 191161, 191170, 191180



Only layout change, no design change of the product.  
Prior drawing No. AC-1911xx/ Rev 01/ September 13, 2005

"All dimensions in mm"

Customer drawing subject to change without notice!

Prior Issue	Drawn	Approved	Released	CONFIDENTIAL: Information contained in this document or drawing is confidential and proprietary to Greiner Bio-One GmbH. This document may not be reproduced for any reason without written permission from Greiner Bio-One GmbH. All rights of design, invention, and copyright are reserved.
Revision	Date 2011/06/01	Date 2011/06/01	Date 2011/06/01	
Date	Name falter	Name falter	Name sonntag	