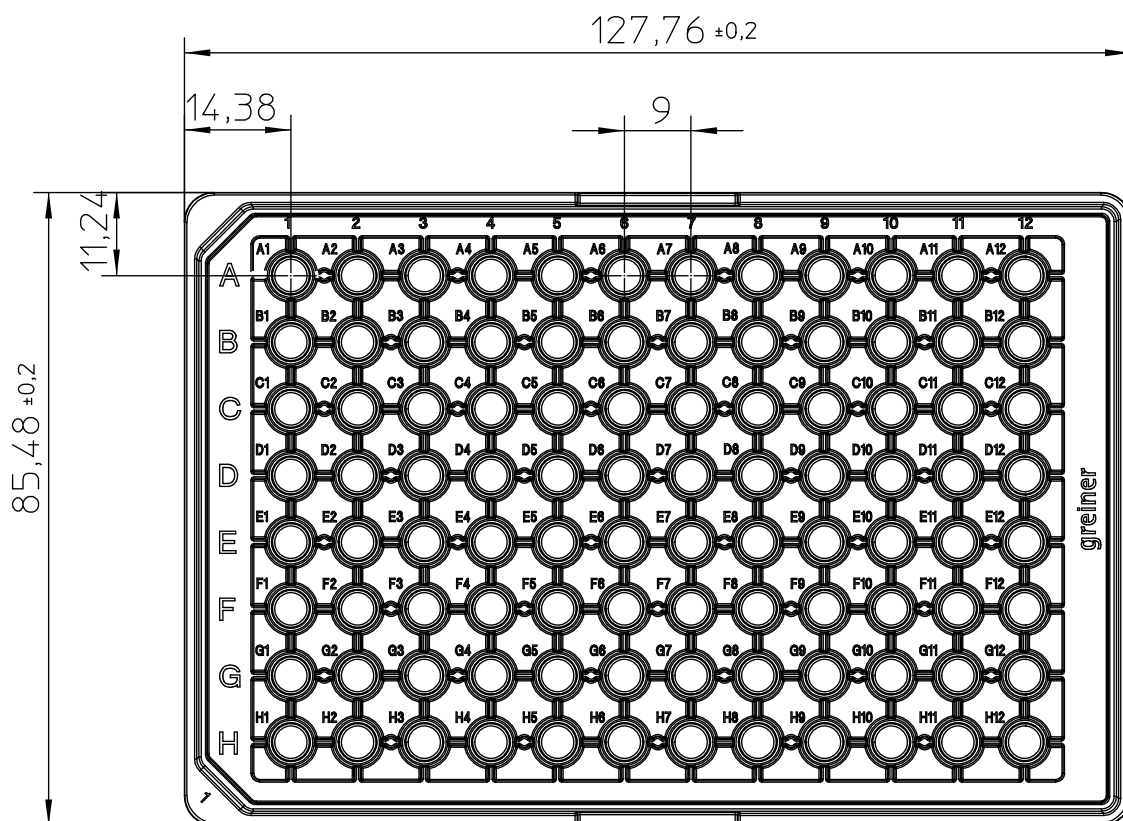
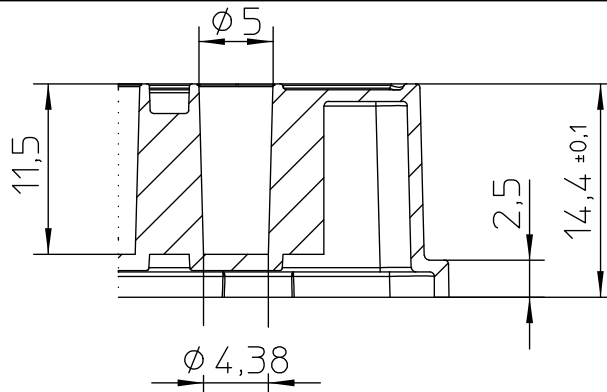
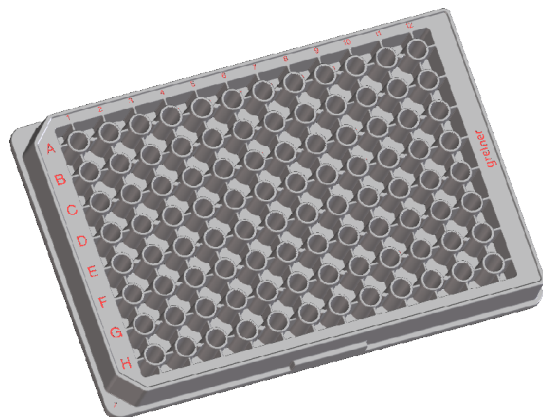


Valid for Item-No.: 675001, 675061, 675074, 675075, 675076, 675077, 675083, 675086, 675101, 675161, 675180



Only layout change, no design change of the product.
 Prior drawing No. AC-675001/ 675061/ Rev 01/ May 17, 2005
 AC-6751xx/ Rev 01/ May 17, 2005
 AC-67508x/ Rev 02/ February 25, 2005
 AC-67507x/ Rev 01/ May 17, 2005

"All dimensions in mm"

Customer drawing subject to change without notice!

Prior Issue	Drawn	Approved	Released	CONFIDENTIAL: Information contained in this document or drawing is confidential and proprietary to Greiner Bio-One GmbH. This document may not be reproduced for any reason without written permission from Greiner Bio-One GmbH. All rights of design, invention, and copyright are reserved.
Revision	Date 2011/02/21	Date 2011/02/21	Date 2011/02/21	
Date	Name falter	Name falter	Name sonntag	