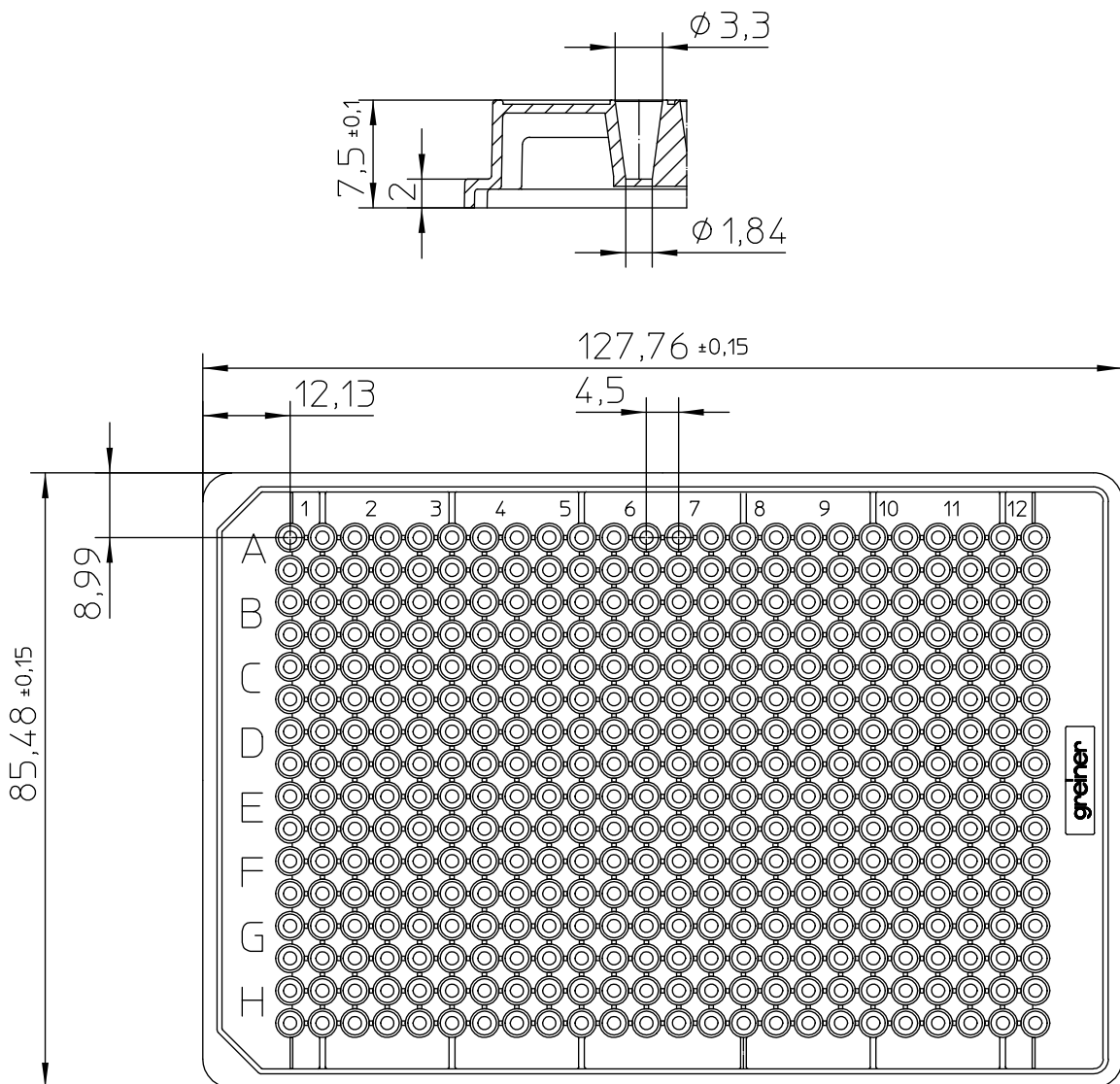


Valid for Item-No.: 788073, 788074, 788075, 788076, 788077, 788086, 788101, 788161,



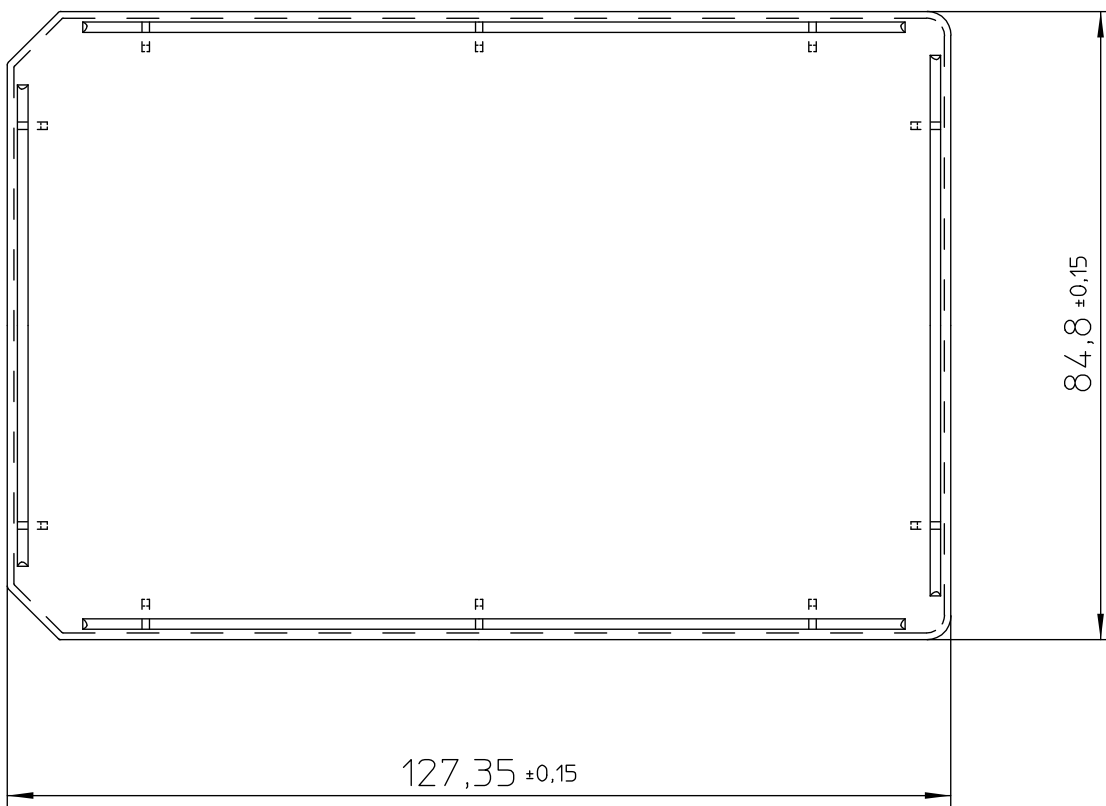
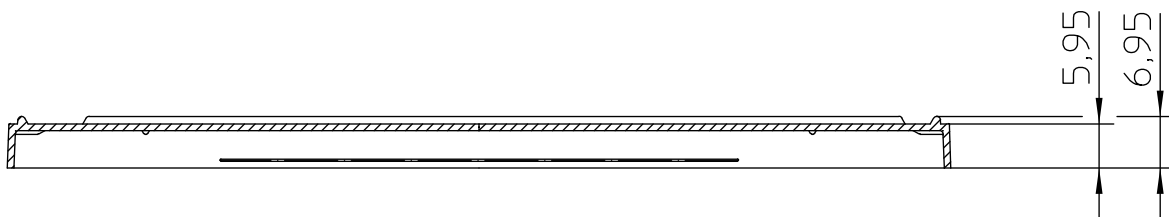
Only layout change, no design change of the product.
Prior drawing No. AC-7880xx/ Rev 02/ June 19, 2007

"All dimensions in mm"

Customer drawing subject to change without notice!

Prior Issue	Drawn	Approved	Released	CONFIDENTIAL: Information contained in this document or drawing is confidential and proprietary to Greiner Bio-One GmbH. This document may not be reproduced for any reason without written permission from Greiner Bio-One GmbH. All rights of design, invention, and copyright are reserved.
Revision	Date 2011/03/23	Date 2011/03/24	Date 2011/03/24	
Date	Name falter	Name falter	Name sonntag	

Valid for Item-No.: 788073, 788074, 788075, 788076, 788077, 788086, 788101, 788161,



"All dimensions in mm"

Customer drawing subject to change without notice!

Prior Issue	Drawn	Approved	Released	CONFIDENTIAL: Information contained in this document or drawing is confidential and proprietary to Greiner Bio-One GmbH. This document may not be reproduced for any reason without written permission from Greiner Bio-One GmbH. All rights of design, invention, and copyright are reserved.
Revision	Date 2011/03/23	Date 2011/03/24	Date 2011/03/24	
Date	Name falter	Name falter	Name sonntag	