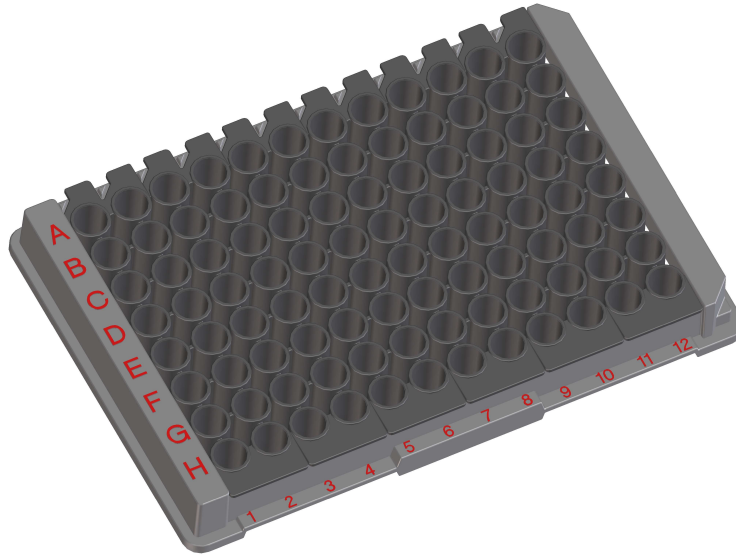
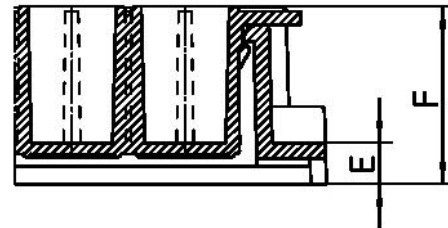
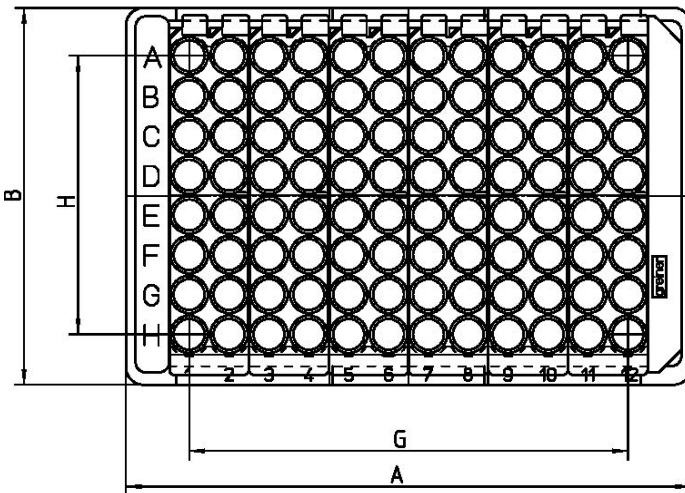


AC- 756xxx	CUSTOMER DRAWING	Page 1 of 2
Revision 01	96 Well Strip Plate, PS	
	Item-No. 756xxx	



NOT TO SCALE




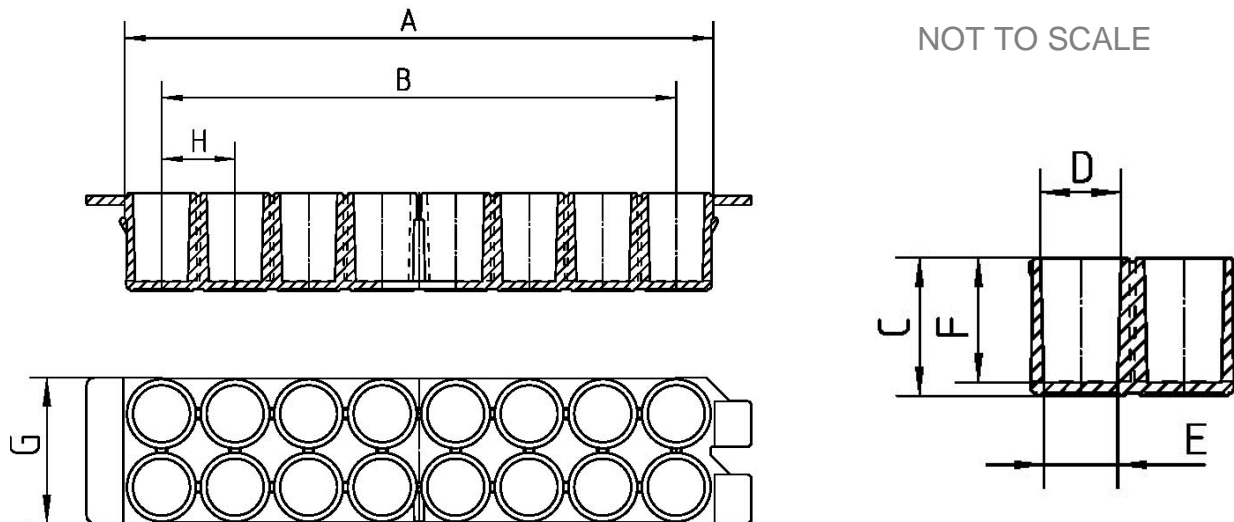
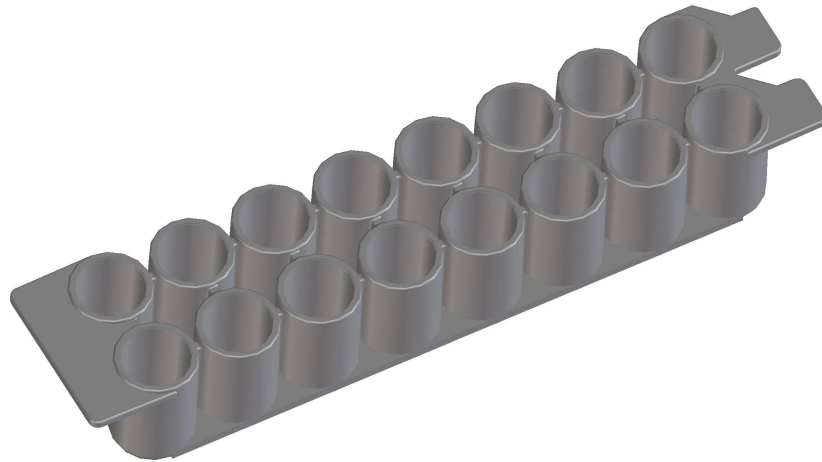
Cat.-No.	Description	A	B	C	D	E	F	G	H
756 070	Strip Plate	127.8 +0.1 -0.2	85.6 +0.1 -0.2	14.1 -0.2	2.5	3.3	14.2	99.19	63.12
756 071	Strip Plate	127,8 +0,1 -0,2	85,6 +0,1 -0,2	14,1 -0,2	2,5	3,3	14,2	99,19	63,12

All dimensions in mm

Customer drawing subject to change without notice!

Prior Issue	Drawn	Approved	Released	CONFIDENTIAL: Information contained in this document or drawing is confidential and proprietary to Greiner Bio-One GmbH. This document may not be reproduced for any reason without written permission from Greiner Bio-One GmbH. All rights of design, invention, and copyright are reserved.
Revision 01	Date 07 March 7 2005	Date 07 March 2005	Date 08 March 2005	
Date 07 March 2005	Name F. Falter	Name F. Sonntag	Name F. Sonntag	

AC- 756xxx	CUSTOMER DRAWING	Page 2 of 2
Revision 01	96 Well Strip Plate, PS	 greiner bio-one
	Item-No. 756xxx	



Cat.-No.	Description	A	B	C	D	E	F	G	H
756 001	Strip	72.2 ± 0.15	63.12 ± 0.1	12.05	∅ 7 +0.05 -0.15	∅ 6.46	10.9 +0.05 -0.15	17.92	9.017 +0.02 -0.04

All dimensions in mm

Customer drawing subject to change without notice!

Prior Issue	Drawn	Approved	Released	CONFIDENTIAL: Information contained in this document or drawing is confidential and proprietary to Greiner Bio-One GmbH. This document may not be reproduced for any reason without written permission from Greiner Bio-One GmbH. All rights of design, invention, and copyright are reserved.
Revision 01	Date 07 March 7 2005	Date 07 March 2005	Date 08 March 2005	
Date 07 March 2005	Name F. Falter	Name F. Sonntag	Name F. Sonntag	