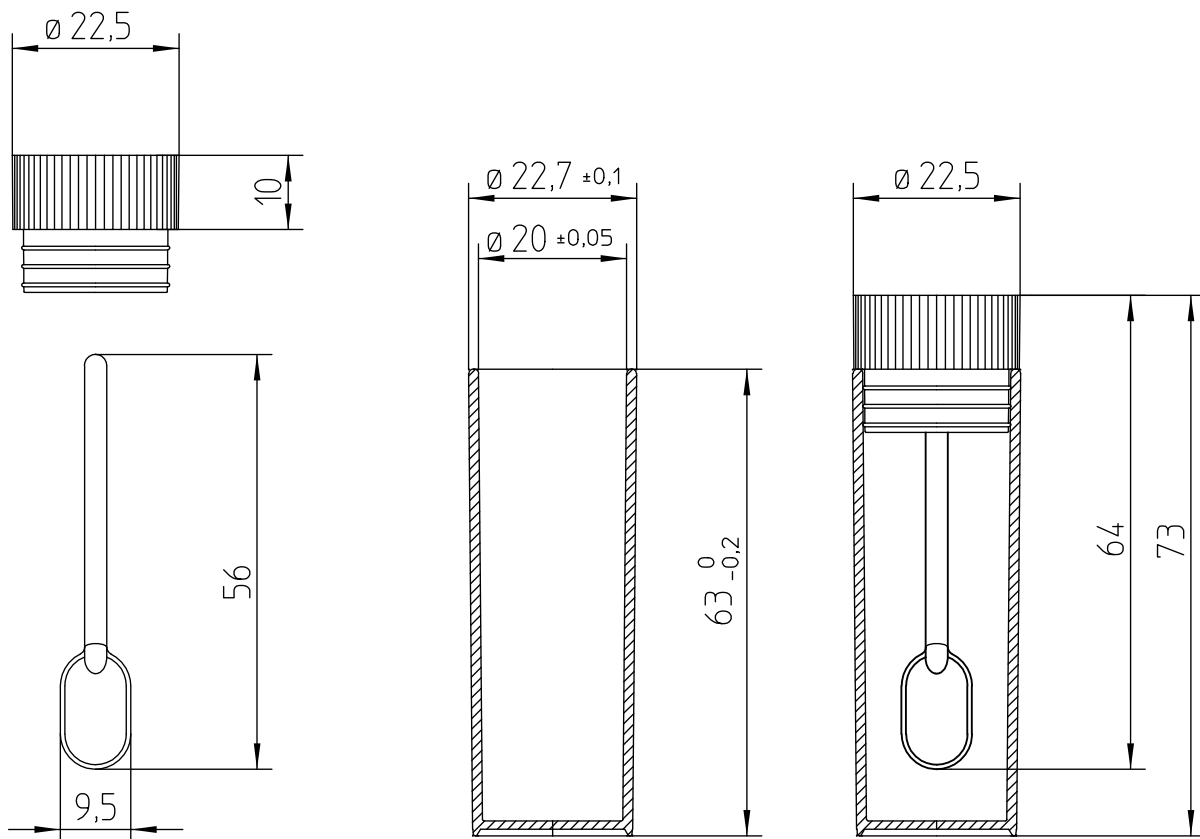




Valid for Item-No.: 431102



Only layout change, no design change of the product.
Prior drawing No. AC-431102/ Rev 01/ September 29, 2005

"All dimensions in mm"

Customer drawing subject to change without notice!

| Prior Issue | Drawn | Approved | Released | CONFIDENTIAL: Information contained in this document or drawing is confidential and proprietary to Greiner Bio-One GmbH. This document may not be reproduced for any reason without written permission from Greiner Bio-One GmbH. All rights of design, invention, and copyright are reserved. |
|-------------|--------------------|--------------------|--------------------|--|
| Revision | Date 2011/03/07 | Date 2011/03/07 | Date 2011/03/07 | |
| Date | Name falter | Name falter | Name sonntag | |