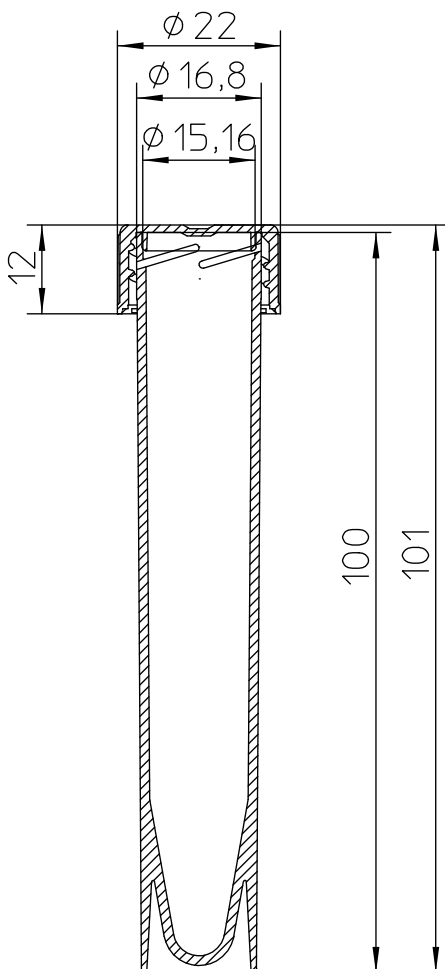


Valid for Item-No.: 164160, 164161, 164180



Only layout change, no design change of the product.  
Prior drawing No. AC-1641xx/ Rev 01/January 21, 2005

"All dimensions in mm"

Customer drawing subject to change without notice!

Prior Issue	Drawn	Approved	Released	CONFIDENTIAL: Information contained in this document or drawing is confidential and proprietary to Greiner Bio-One GmbH. This document may not be reproduced for any reason without written permission from Greiner Bio-One GmbH. All rights of design, invention, and copyright are reserved.
Revision	Date 2011/03/03	Date 2011/03/03	Date 2011/03/03	
Date	Name falter	Name falter	Name sonntag	