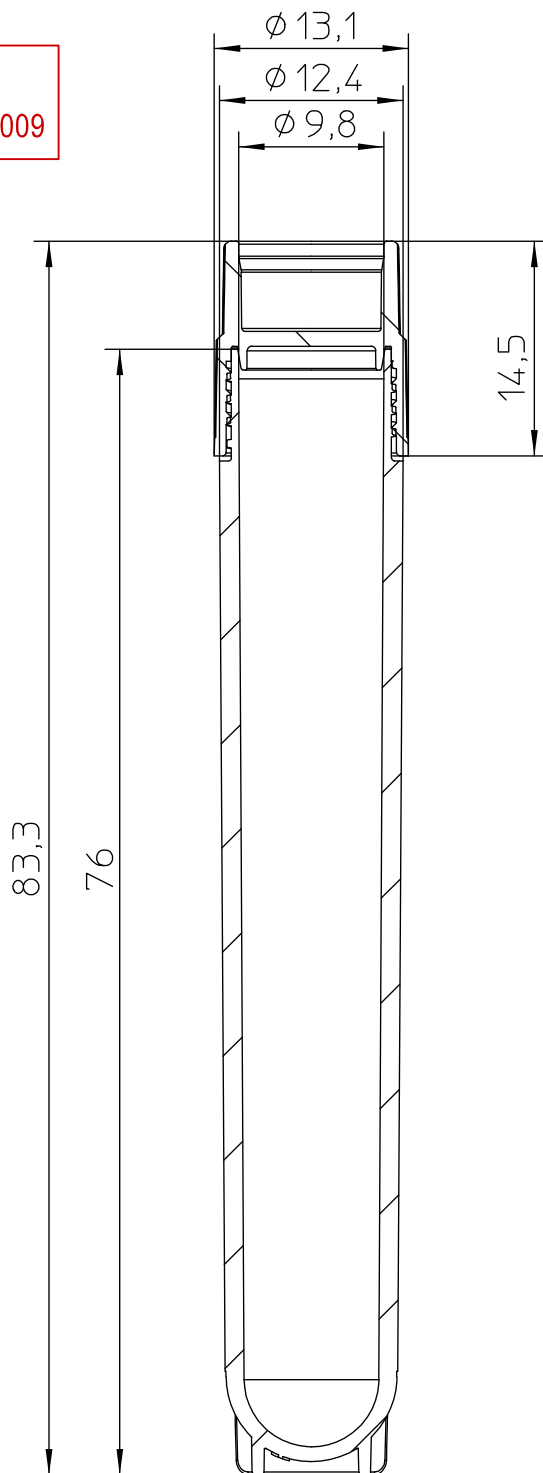


Valid for Item-No.: 127261, 127263, 127277, 127278, 127279, 127280

Only layout change, no design change of the product.  
Prior drawing No. AC-1272xx/ Rev 03/ September 04, 2009



"All dimensions in mm"

Customer drawing subject to change without notice!

Prior Issue	Drawn	Approved	Released	CONFIDENTIAL: Information contained in this document or drawing is confidential and proprietary to Greiner Bio-One GmbH. This document may not be reproduced for any reason without written permission from Greiner Bio-One GmbH. All rights of design, invention, and copyright are reserved.
Revision	Date 2011/01/26	Date 2011/01/31	Date 2011/01/31	
Date	Name falter	Name falter	Name sonntag	